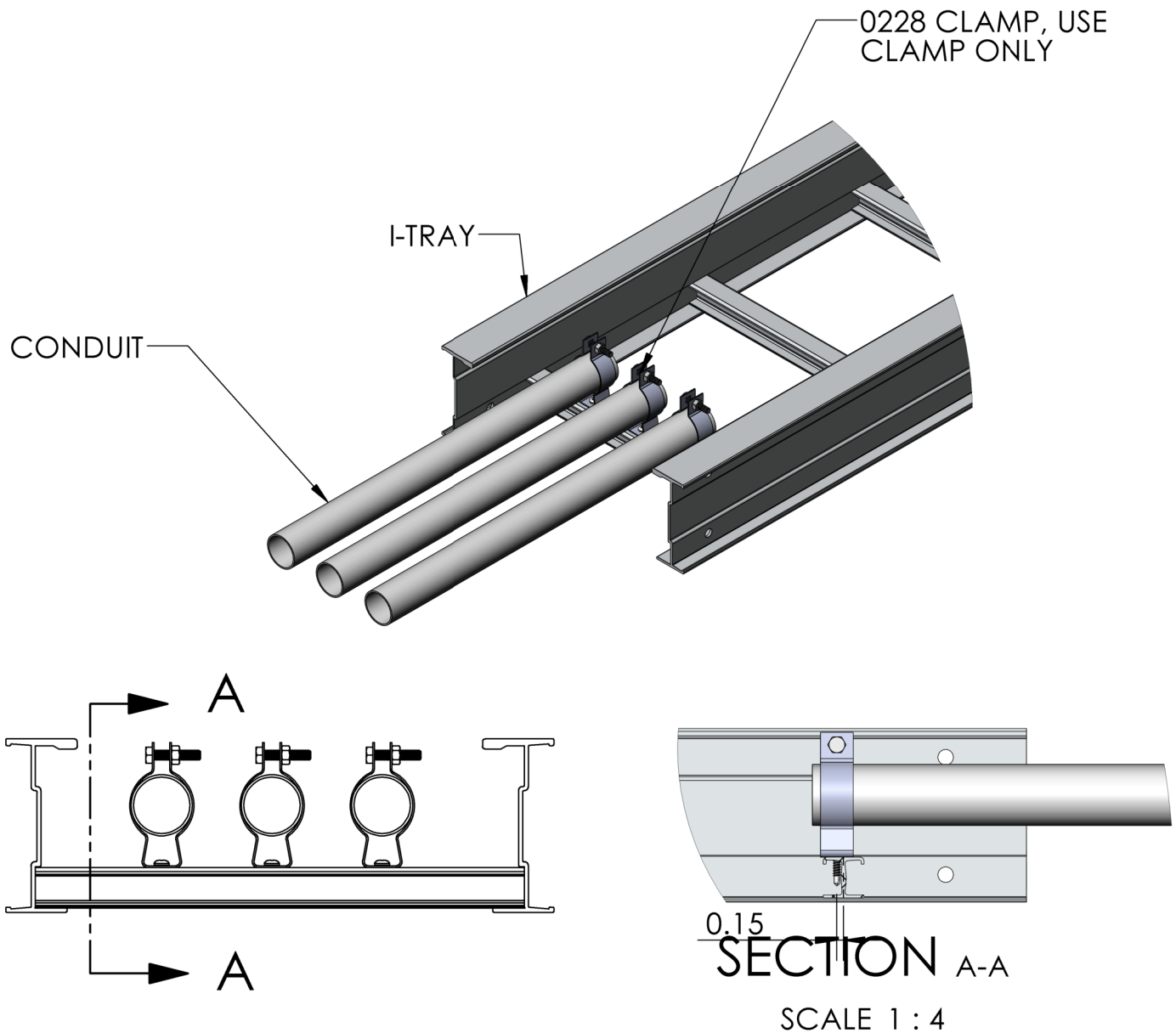


I-TRAY WITH CONDUIT MOUNTED ON THE END



NOTES:

1. LOCATE CONDUIT CLAMP ON LADDER TRAY RUNG AS SHOWN.
2. MOUNT CLAMP TO LADDER TRAY RUNG USING A SELF DRILLING SCREW OR EQUIVALENT.
3. INSTALL CONDUIT IN CLAMP AND TIGHTEN CLAMP AS REQUIRED.
4. FOR CONDUIT UP TO ONE INCH IN DIAMETER.

"Copyright LNA, Inc. Drawings are proprietary and may not be copied or otherwise duplicated or used without express written permission."

BP1071

Legrand
8319 State Rt. 4
Mascoutah, IL 62258 USA
800-658-4641
618-566-3250
Fax 618-566-4978
www.legrand.us/cablofil