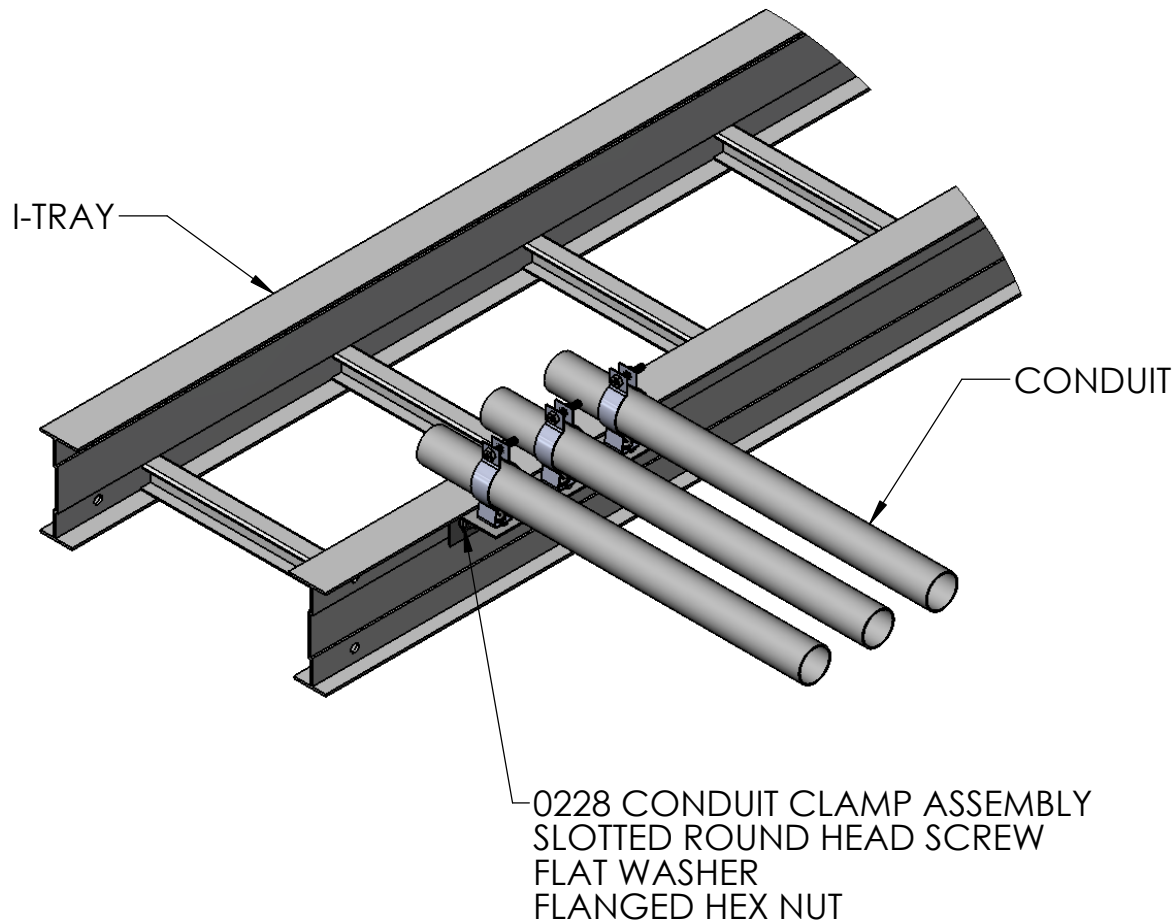


I-TRAY WITH CONDUIT MOUNTED ON SIDE RAIL



NOTES:

1. REMOVE ANGLE BRACKET FROM CONDUIT CLAMP AND REINSTALL CLAMP ON SHORT LEG OF ANGLE.
2. POSITION CONDUIT CLAMP UNDER LADDER TRAY SIDERAIL TOP FLANGE AS SHOWN. CENTER THE FASTENER CLEARANCE SLOT BETWEEN SIDERAIL EXTRUSION RIB AND EDGE OF TOP FLANGE.
3. MOUNT CLAMP ASSEMBLY TO LADDER TRAY SIDERAIL USING INCLUDED 1/4" SLOTTED ROUND HEAD SCREW, FLAT WASHER AND FLANGED HEX NUT.
4. INSTALL CONDUIT IN CLAMP AND TIGHTEN CLAMP AS REQUIRED.

"Copyright LNA, Inc. Drawings are proprietary and may not be copied or otherwise duplicated or used without express written permission."

BP1072

Legrand
8319 State Rt. 4
Mascoutah, IL 62258 USA
800-658-4641
618-566-3250
Fax 618-566-4978
www.legrand.us/cablofil