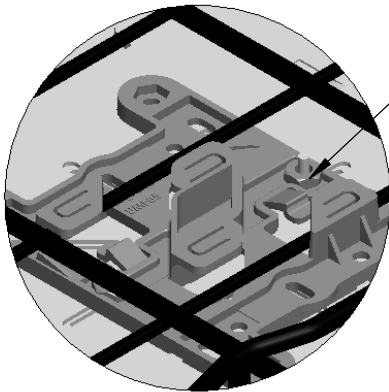
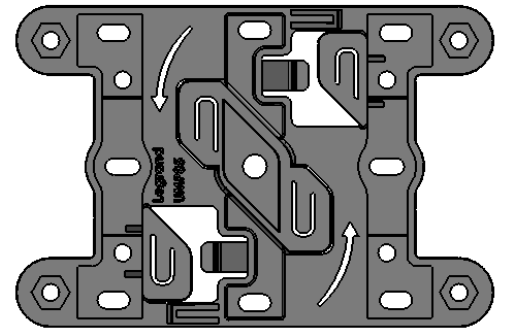
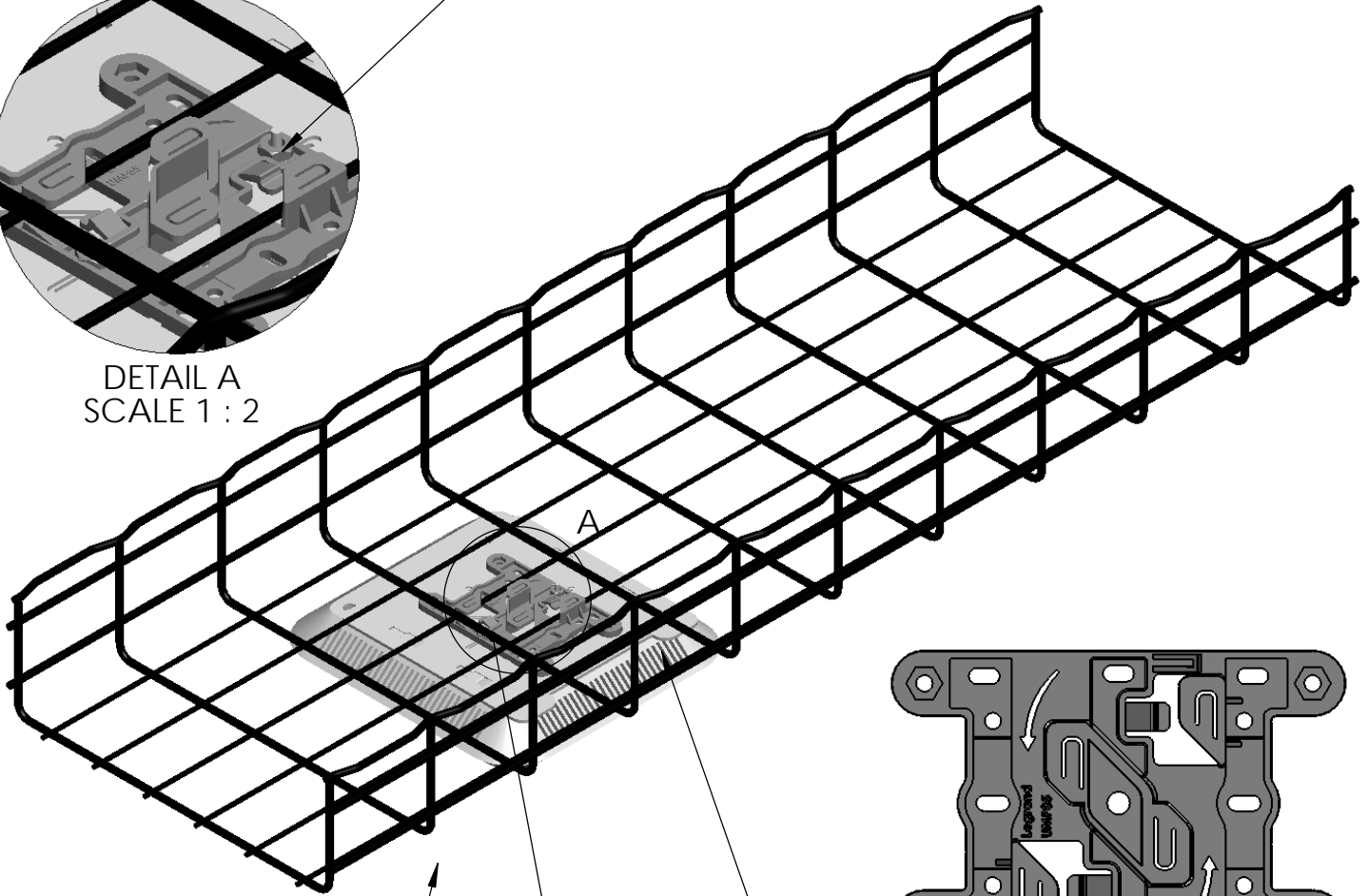


UMP85 COMES WITH HARDWARE FOR ATTACHING TO MANY DIFFERENT DEVICES



DETAIL A
SCALE 1 : 2



UMP85 ATTACHES EITHER DIRECTLY TO WAP OR TO WAP WALL MOUNT

UMP85 BRACKET

CABLOFIL CABLE TRAY

- UMP85 supports many different mounting devices
- Hardware included secures most devices to the UMP85
- Secure device to UMP85, locate on wire mesh, and twist/snap into position

UMP85 Includes:

- 1 = UMP85 Universal Mounting Bracket
- 4 = 8-32x3/8" Phillips Pan Head Screws
- *2 = 8-32x5/8" Phillips Pan Head Screws
- 4 = 8-32 Hex Nuts
- 4 = #8 External Star Washers
- *2 = 1/4" Tall Spacers

* May only be needed when mounting security camera mounting kits

"Copyright LNA, Inc. Drawings are proprietary and may not be copied or otherwise duplicated or used without express written permission."