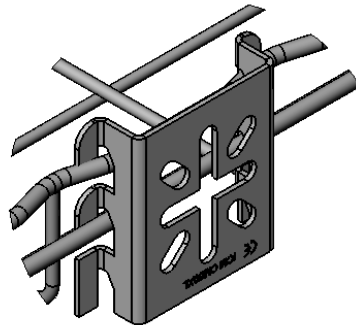


DETAIL BOTTOM

SCALE 2 : 5



DETAIL SIDE

SCALE 2 : 5

- C50 CAN ATTACH TO THE SIDES OR BOTTOM
- SLOTS ALLOW FOR DYNAMIC PLACEMENT OF VARIOUS ATTACHMENTS
- USED TO ATTACH FIXTURES, BOXES, AND MORE
- FOLD OVER TABS INSTALL WITHOUT ANY ADDITIONAL HARDWARE