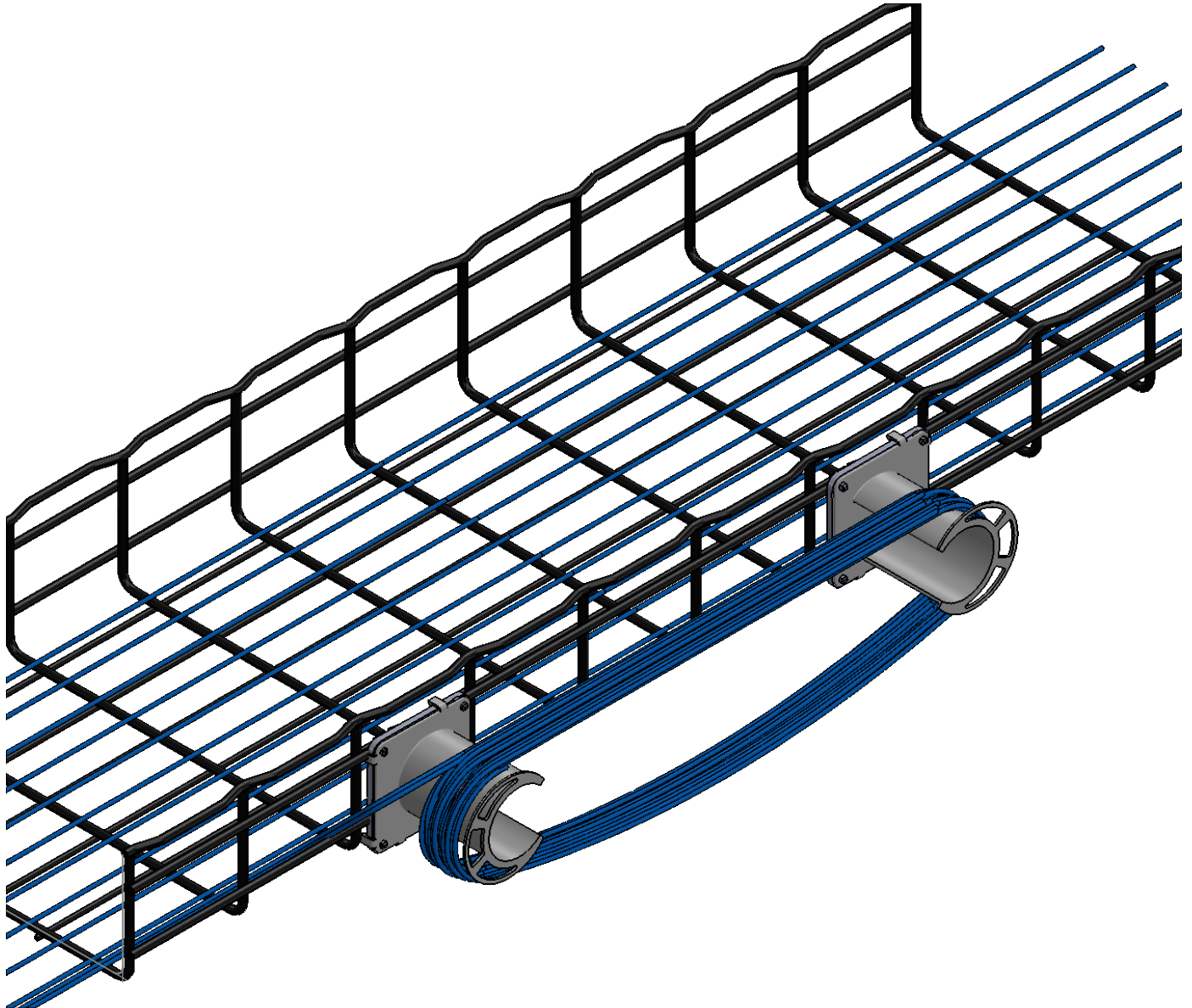




TOH Fiber-Optic TOH on CF105/300 Fiber Optic Wire



- **USE TO MANAGE EXTRA LENGTHS OF FIBER-OPTIC CABLING**
- **SNAPS ONTO ANY CABLOFIL CABLE PATHWAY**
- **REQUIRES NO ADDITIONAL HARDWARE FOR ATTACHMENT**
- **ABS PLASTIC CONSTRUCTION IS DURABLE AND CORROSION RESISTANT**

"Copyright LNA, Inc. Drawings are proprietary and may not be copied or otherwise duplicated or used without express written permission."

BP1078

Legrand
8319 State Rt. 4
Mascoutah, IL 62258 USA
800-658-4641
618-566-3250
Fax 618-566-4978
www.legrand.us/cablofil