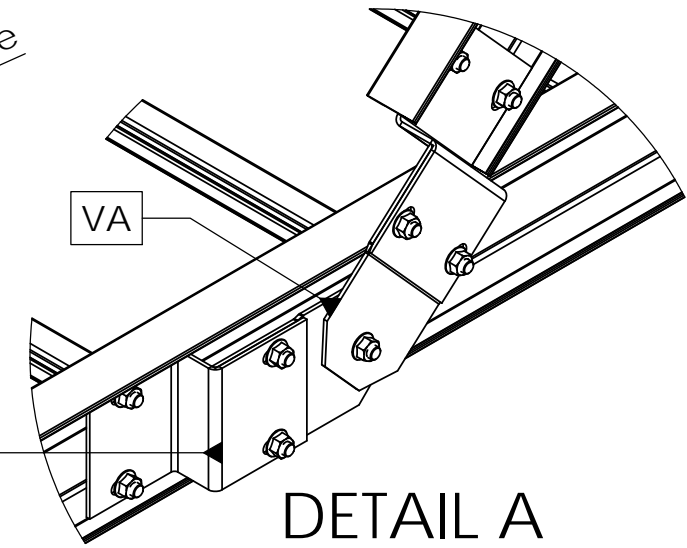
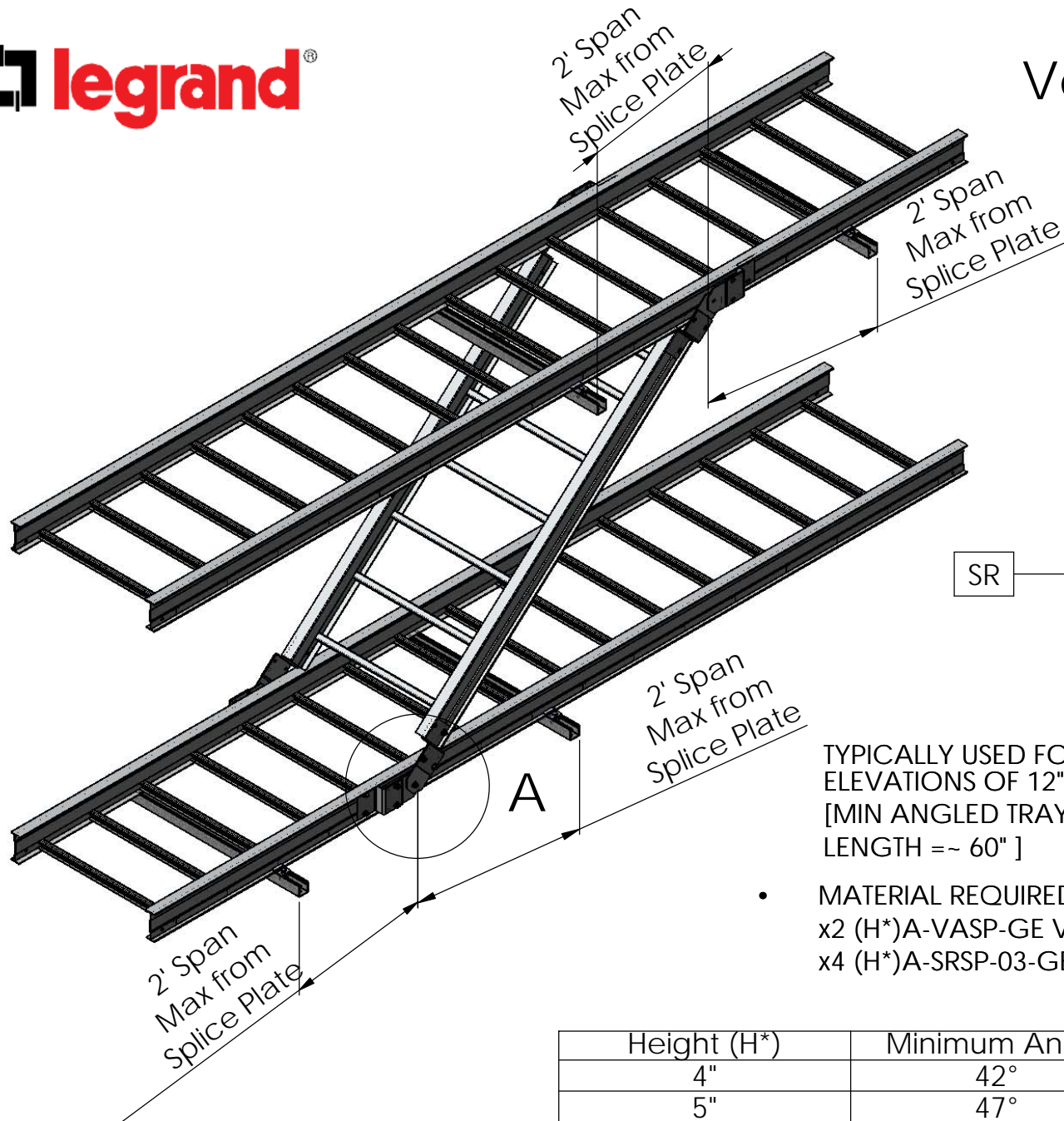


Vertical I-Tray Between Parallel Runs



DETAIL A
SCALE 1 : 5

TYPICALLY USED FOR TRAYS RUNNING AT PARALLEL ELEVATIONS OF 12" TO 42" APART
[MIN ANGLED TRAY LENGTH = 12", MAX ANGLED TRAY LENGTH = ~ 60"]

- MATERIAL REQUIRED:
x2 (H*)A-VASP-GE Vertical Adjustable Splice Plates [VA]
x4 (H*)A-SRSP-03-GE Straight Reducer Splice Plates [SR]

Height (H*)	Minimum Angle
4"	42°
5"	47°
6"	52°
7"	55°

"Copyright LNA, Inc. Drawings are proprietary and may not be copied or otherwise duplicated or used without express written permission."