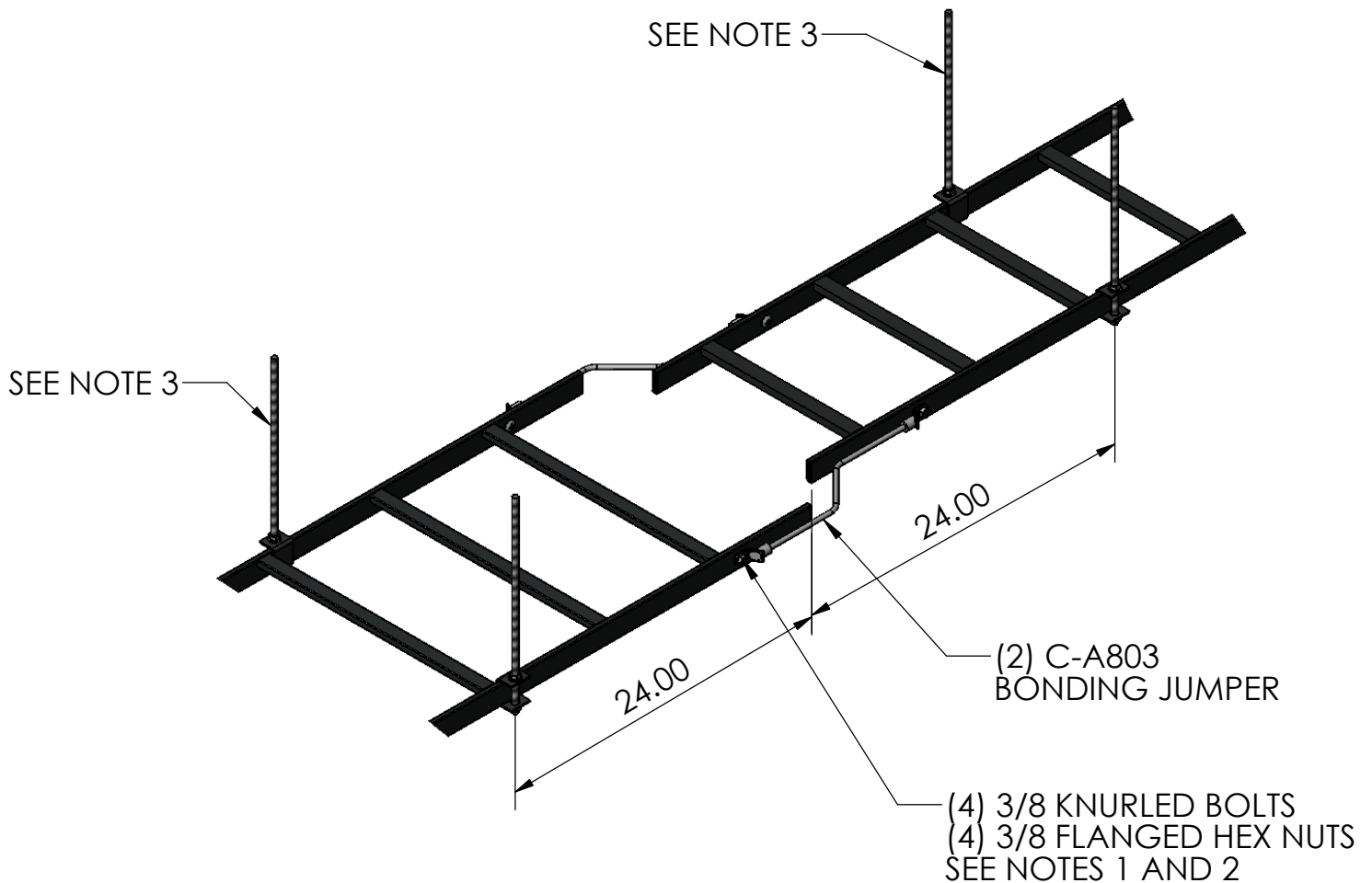




# CABLE RUNWAY TRAY REDUCTION WITH BONDING JUMPERS



1. DRILL CLEARANCE HOLES FOR 3/8 INCH BOLTS APPROXIMATELY 6 INCHES FROM END OF EACH TRAY.
2. INSTALL BONDING JUMPER USING 3/8 INCH HARDWARE AS SHOWN (NOT INCLUDED).
3. SUPPORT TRAY WITHIN 2 FEET OF END OF EACH TRAY.

"Copyright LNA, Inc. Drawings are proprietary and may not be copied or otherwise duplicated or used without express written permission."

BP1104

Legrand  
8319 State Rt. 4  
Mascoutah, IL 62258 USA  
800-658-4641  
618-566-3250  
Fax 618-566-4978  
[www.legrand.us/cablofil](http://www.legrand.us/cablofil)