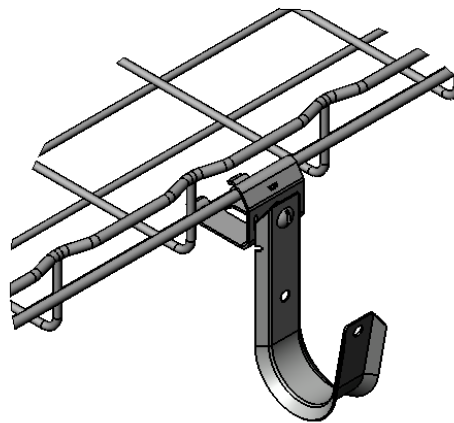
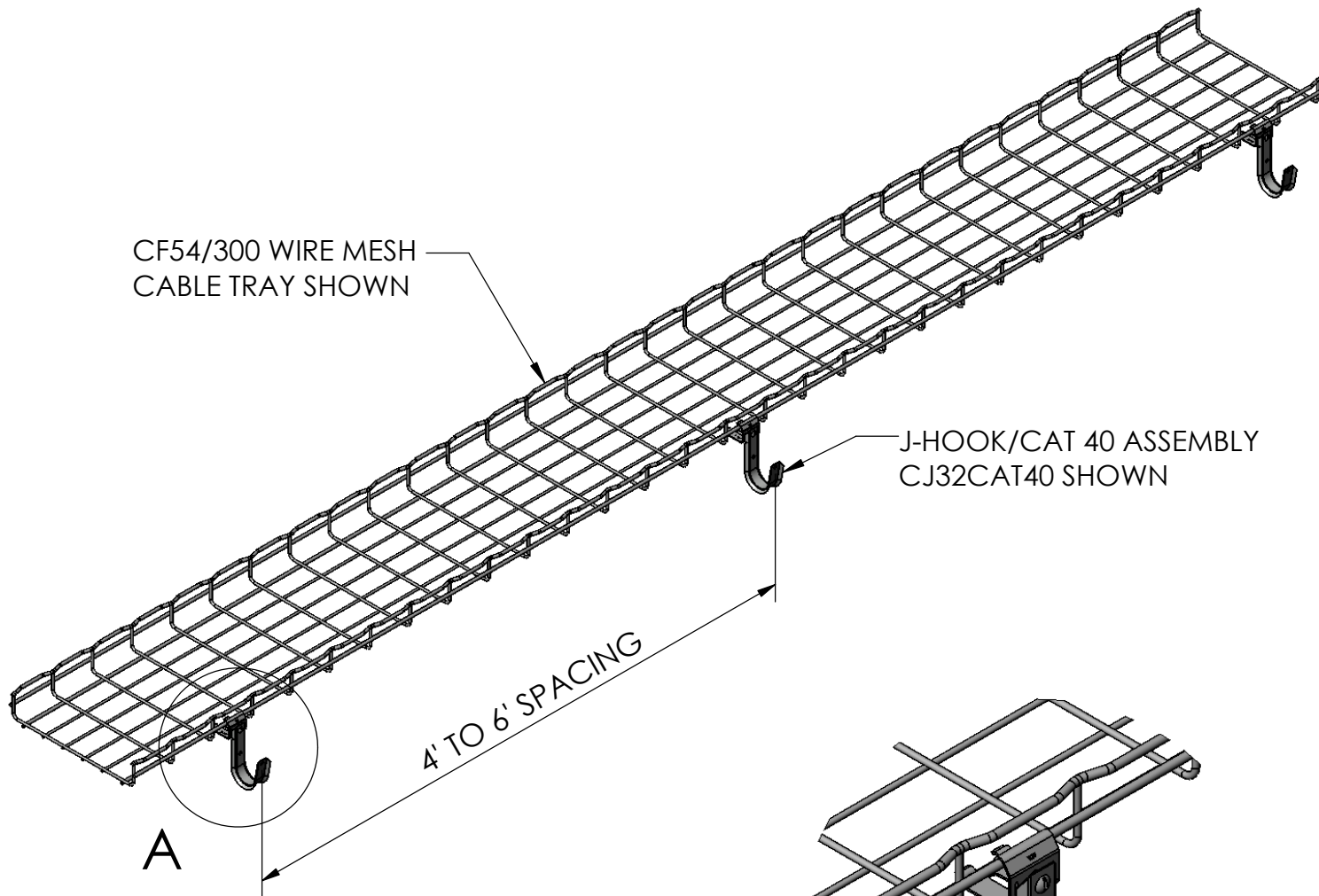




J-HOOK/CAT 40 ASSEMBLY SPACING WIRE MESH CABLE TRAY



DETAIL A

SCALE 1 : 4

1. CENTER J-HOOK ASSEMBLY IN WIRE MESH OPENING ON SIDE OF TRAY AS SHOWN AND SNAP INTO PLACE.
2. RECOMMENDED SPACING FOR J-HOOK 4-6 FEET.
3. J-HOOK SAFE WORKING LOAD IS 17 LBS.

"Copyright LNA, Inc. Drawings are proprietary and may not be copied or otherwise duplicated or used without express written permission."

BP1106

Legrand
8319 State Rt. 4
Mascoutah, IL 62258 USA
800-658-4641
618-566-3250
Fax 618-566-4978
www.legrand.us/cablofil