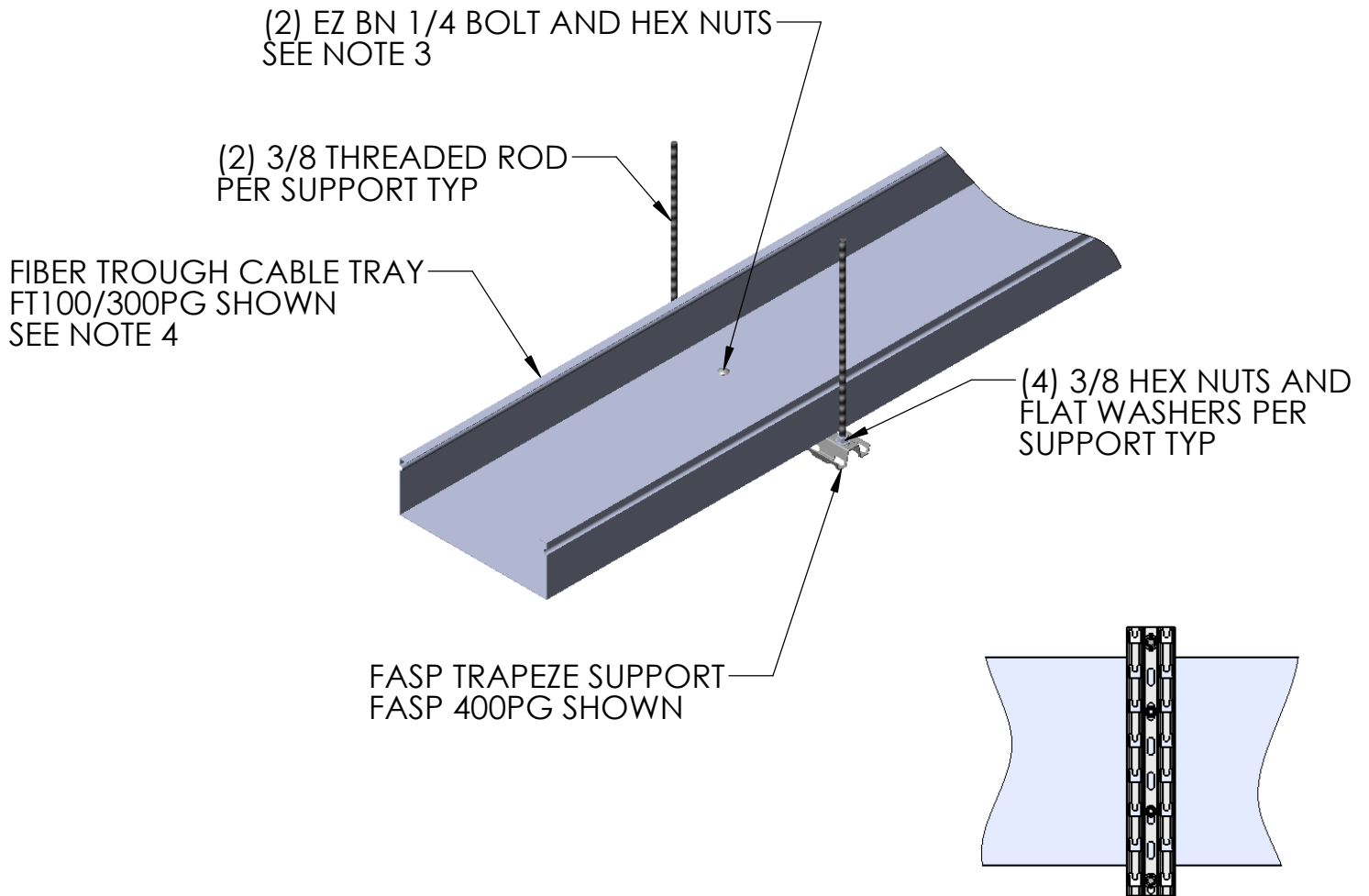


FIBER TROUGH TRAY WITH FASP SUPPORT



BOTTOM VIEW

NOTES:

1. CENTER TRAY ON FASP TRAPEZE SUPPORT AS SHOWN.
2. MATCH DRILL CLEARANCE HOLES FOR (2) EZ BN 1/4 BOLTS EQUALLY SPACED IN FIBER TROUGH TRAY USING FASP AS A GUIDE.
3. INSTALL EZ BN 1/4 BOLTS AND HEX NUTS. INSTALL BOLTS SO THAT HEAD OF BOLT IS IN CABLE FILL AREA OF TRAY.
4. IF V TROUGH TRAY IS USED WITH AN FASP TRAPEZE SUPPORT NO MATCHED DRILLED HOLES ARE REQUIRED. PERFORATIONS IN TRAY ALLOW MOUNTING DIRECTLY TO THE FASP.

"Copyright LNA, Inc. Drawings are proprietary and may not be copied or otherwise duplicated or used without express written permission."

BP1107

Legrand
8319 State Rt. 4
Mascoutah, IL 62258 USA
800-658-4641
618-566-3250
Fax 618-566-4978
www.legrand.us/cablofil