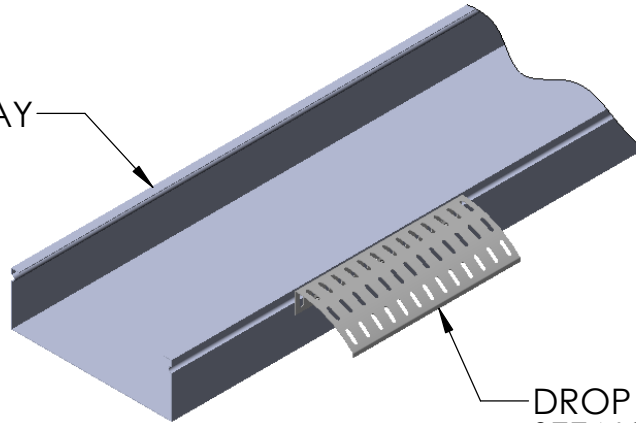


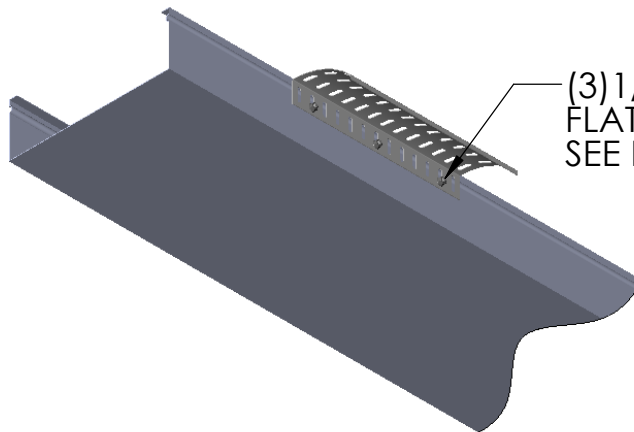


FIBER TROUGH TRAY WITH DROP OUT MOUNTED ON SIDE OF TRAY

FIBER TROUGH CABLE TRAY
FT100/300PG SHOWN



DROP OUT
SEE NOTES 1 AND 2



(3) 1/4 X 1/2 ROUND HEAD BOLTS,
FLAT WASHERS, AND HEX NUTS
SEE NOTE 3

BOTTOM VIEW

NOTES:

1. POSITION DROP OUT ON FIBER OR V TROUGH TRAY AT DESIRED LOCATION.
2. MATCH DRILL CLEARANCE HOLES FOR (3) 1/4 ROUND HEAD BOLTS EQUALLY SPACED IN FIBER OR V TROUGH TRAY USING DROPOUT AS A GUIDE.
3. INSTALL 1/4 BOLTS, FLAT WASHERS AND FLANGED HEX NUTS (NOT INCLUDED). INSTALL BOLTS SO THAT HEAD OF BOLT IS IN CABLE FILL AREA OF TRAY.

"Copyright LNA, Inc. Drawings are proprietary and may not be copied or otherwise duplicated or used without express written permission."

BP1110

Legrand
8319 State Rt. 4
Mascoutah, IL 62258 USA
800-658-4641
618-566-3250
Fax 618-566-4978
www.legrand.us/cablofil