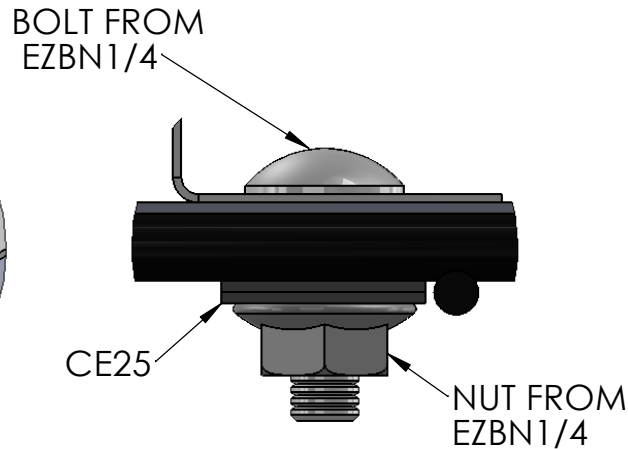
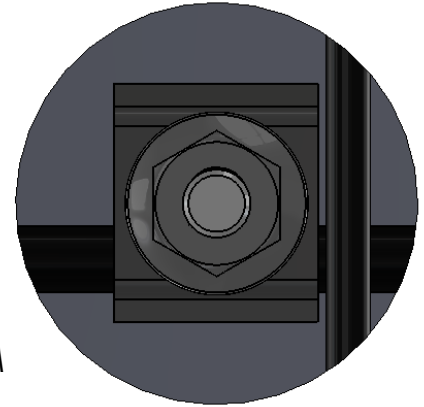


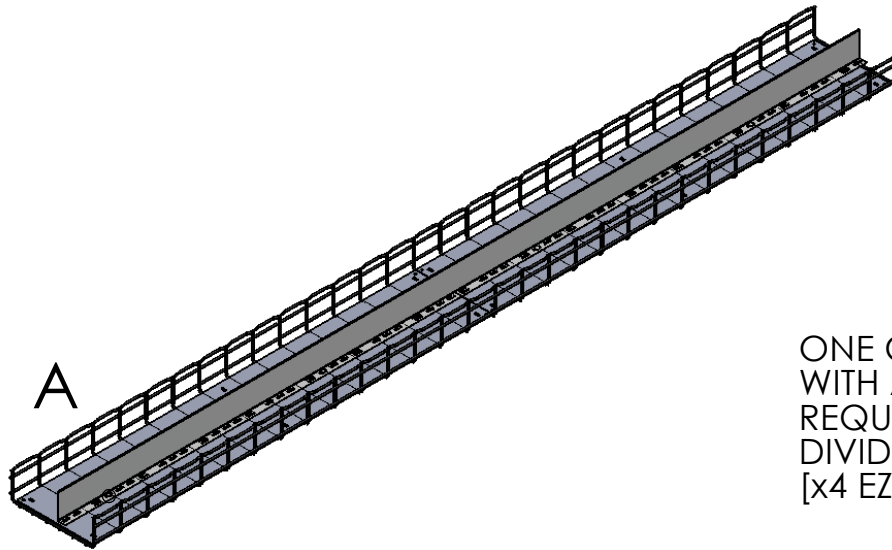
DETAIL A
SCALE 1.5 : 1



DETAIL B
SCALE 1.5 : 1



DETAIL C
SCALE 1.5 : 1



ONE COT HDW KIT COMES WITH ALL MATERIAL REQUIRED FOR SECURING DIVIDER TO INSERT [x4 EZBN1/4 & x4 CE25]

INSTALLATION GUIDE:

1. PLACE INSERT IN TRAY
2. USE INSERT TABS TO FASTEN INSERT TO TRAY
3. POSITION DIVIDER OVER INSERT IN DESIRED LOCATION
4. USE SLOTS OF DIVIDER AS A GUIDE TO DRILL 1/4" HOLES THROUGH INSERT SPACE 4 HOLES APPROXIMATELY 2.5' APART. MAKE SURE THAT THE HOLES ARE RIGHT NEXT TO A WIRE RUNNING ALONG THE WIDTH OF THE TRAY
5. INSTALL 1/4" BOLT IN EACH OF THE 4 HOLES
6. ATTACH A CE25 WASHER TO THE BOTTOM OF EACH BOLT SO THAT THE CE25 CAPTURES A WIRE RUNNING ALONG THE WIDTH OF THE TRAY
7. INSTALL 1/4" NUT ON EACH OF THE 4 BOLTS AND TIGHTEN TO THE CE25