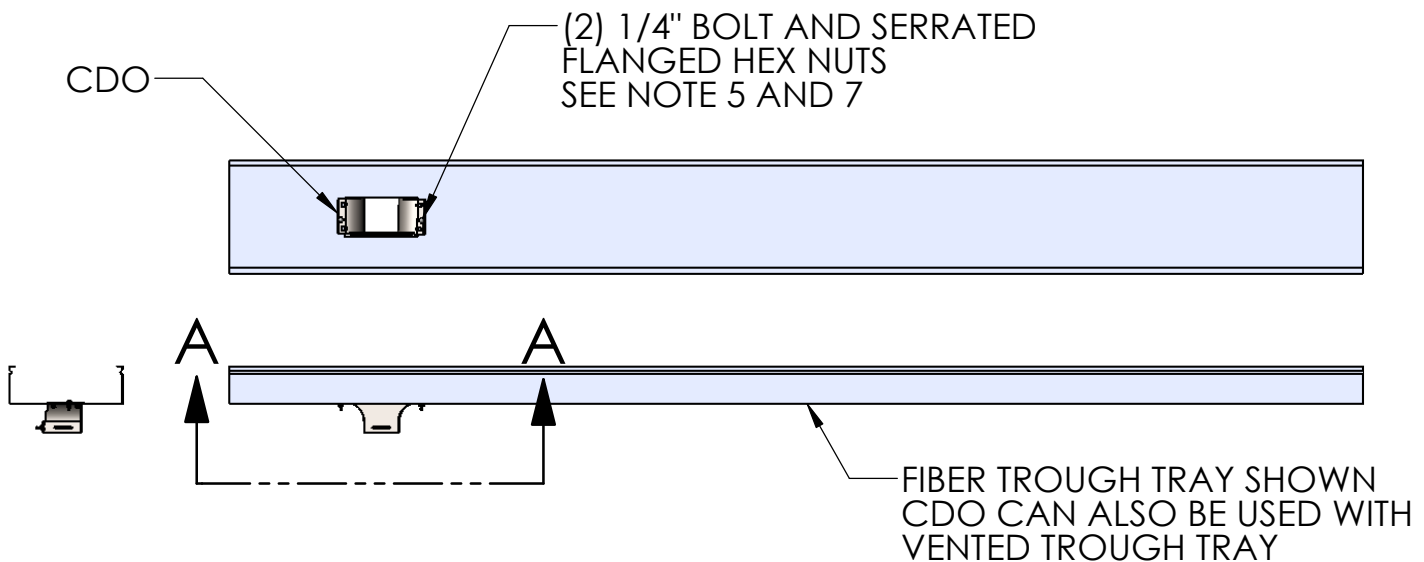
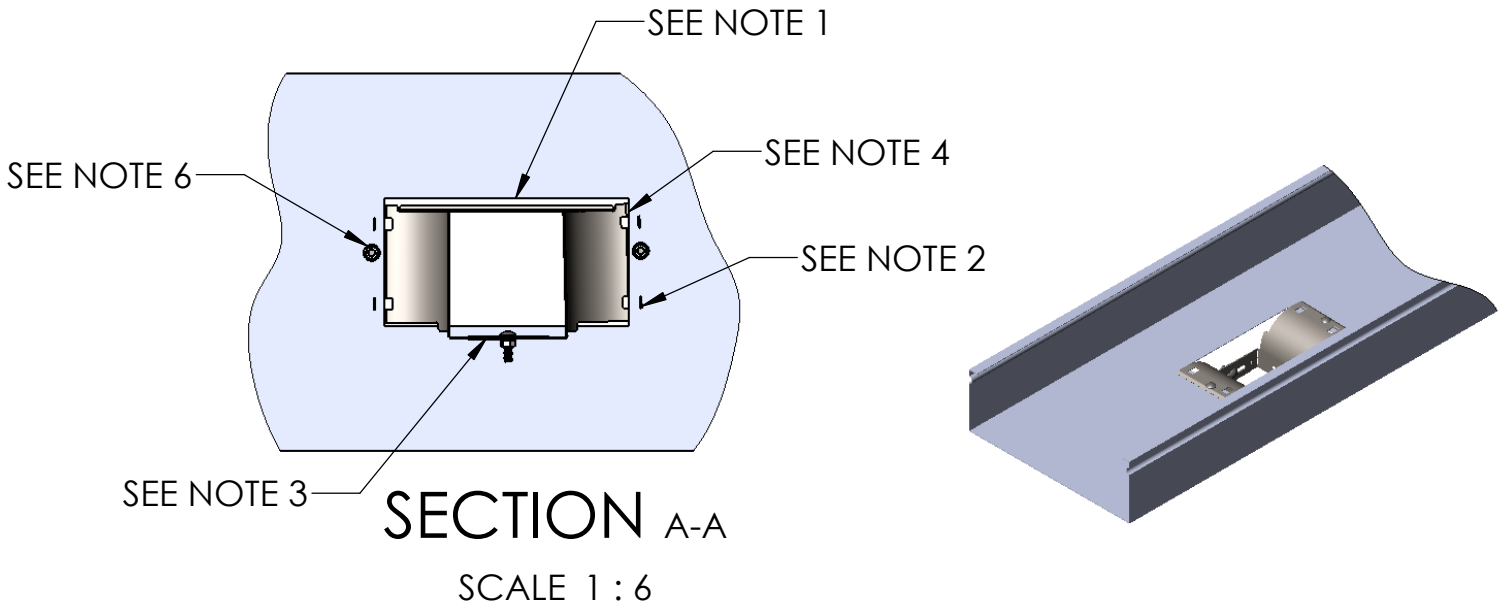


FIBER TROUGH TRAY WITH CDO100 DROP OUT



NOTES:

1. CUT A 4" X 7 5/8" RECTANGULAR CUTOUT IN TROUGH TRAY AT DESIRED LOCATION.
2. BEND TABS ON DROPOUT FLAT
3. BEND SLOTTED TABS SO THEY OVERLAP TO CLOSE DROPOUT SECURE WITH ONE 1/4" BOLT AND FLANGED HEX NUT (SUPPLIED WITH CDO KIT).
4. POSITION DROPOUT IN CUTOUT.
5. MATCH DRILL CLEARANCE HOLES FOR (2) 1/4" ROUND HEAD BOLTS IN TROUGH TRAY USING DROPOUT AS A TEMPLATE.
6. FOR PAINTED TRAY REMOVE PAINT FROM AREA WHERE FLANGED HEX NUT MAKES CONTACT WITH BOTTOM OF TROUGH TRAY TO BOND DROPOUT TO THE TRAY.
7. INSTALL 1/4" BOLTS, AND FLANGED HEX NUTS (SUPPLIED WITH CDO KIT). INSTALL BOLTS SO THAT HEAD OF BOLT IS IN CABLE FILL AREA OF TRAY.